

**LEGEND**

- ELECTRICAL SERVICES SWITCHBOARD.
- SWITCHBOARD / CONTROL PANEL NOT PROVIDED AS PART OF THE ELECTRICAL SUBCONTRACT.
- SINGLE POWER OUTLET.
- DOUBLE POWER OUTLET.
- SPECIAL PURPOSE POWER OUTLET.
- SIGNAGE CONNECTION.
- SINGLE PHASE ISOLATOR.
- THREE PHASE ISOLATOR.
- ONE-WAY LIGHT SWITCH.
- TWO-WAY LIGHT SWITCH.
- LIGHTING PRESENCE DETECTOR.
- CIRCUIT LINE.
- SWITCH LINE.
- POWER CIRCUIT DESIGNATION. DENOTES DB AND CIRCUIT.

- ELECTRICAL EQUIPMENT AS NOTED.
- RJ45 COMMUNICATIONS OUTLET.
- FUSE.
- SINGLE PHASE.
- THREE PHASE.
- CURRENT TRANSFORMER C/W REMOVABLE LINK.
- COMBINED FUSE SWITCH.
- CIRCUIT BREAKER.
- ISOLATOR.
- RESIDUAL CURRENT DEVICE.
- CONTACTOR - NORMALLY OPEN.
- CONTACTOR - NORMALLY CLOSED.
- NBN NETWORK TERMINATION DEVICE.
- NBN PREMISES CONNECTION DEVICE.
- SINGLE PHASE DIRECT WIRED RETAIL METER.
- THREE PHASE DIRECT WIRED RETAIL METER.
- THREE PHASE CT RETAIL METER.
- EXISTING THREE PHASE RETAIL METER TO BE REMOVED.
- REFER TO DETAIL NOTED FOR THE AREA SHOWN HATCHED. ADDITIONAL OUTLETS & FITTINGS MAY BE SHOWN ON DETAIL.

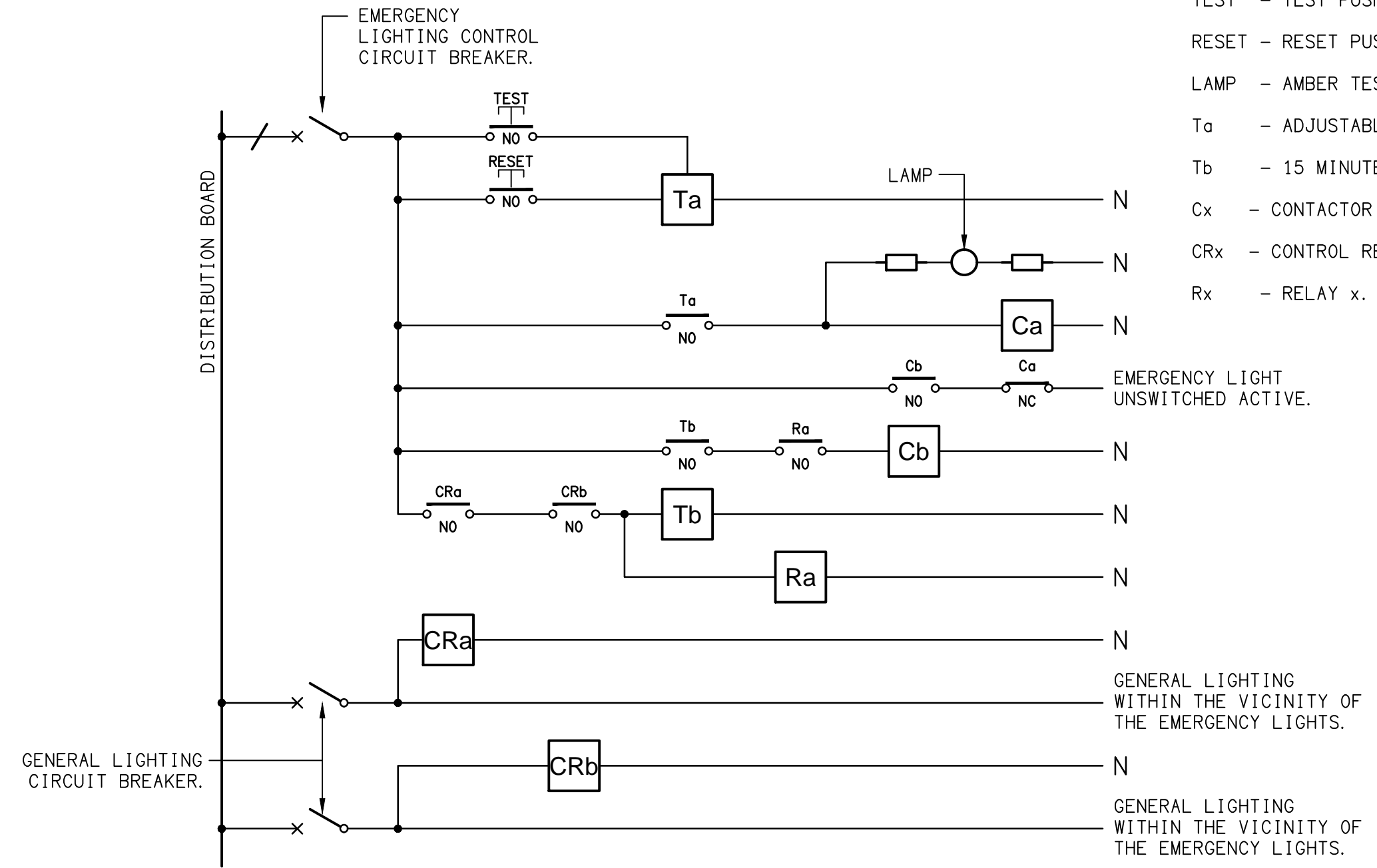
**LEGEND**

- E1: GENERAL LED EMERGENCY LIGHT.
- EX: EMERGENCY LED EXIT LIGHT.
- Lx: LIGHT FITTING C/W NON-MAINTAINED EMERGENCY BATTERY PACK. TYPE AS NOTED.
- L1: 1200 x 300 T-BAR TROFFER.
- L2: 1200 LONG SURFACE MOUNTED DIFFUSED LED BATTEN C/W INTEGRAL SENSOR AND NON-MAINTAINED AS 2293 EMERGENCY PACK.
- L3: 600 LONG SURFACE MOUNTED DIFFUSED LED BATTEN C/W INTEGRAL SENSOR.
- L4: 900 LUMEN +/- 15% RECESSED DOWNLIGHT.
- L5: 1400 LUMEN +/- 15% RECESSED DOWNLIGHT.
- L6: ADJUSTABLE 30W +/- 15% FLOOD LIGHT MOUNTED ON THE BUILDING FACADE.
- L7: 30W +/- 15% CARPARK LIGHT MOUNTED ON A 5m POLE C/W LARGE REAR SPILL SHIELD.
- L8: 30W +/- 15% CARPARK LIGHT MOUNTED ON A 5m POLE.

**NOTE**  
ALL ELECTRICAL PENETRATIONS THROUGH THE ROOF SHEETING ARE TO BE IN LINE WITH THE STRUCTURAL OR MECHANICAL SERVICES PENETRATIONS TO AVOID DEDICATED FLASHINGS FOR THE ELECTRICAL SERVICES.

**EQUIPMENT:**

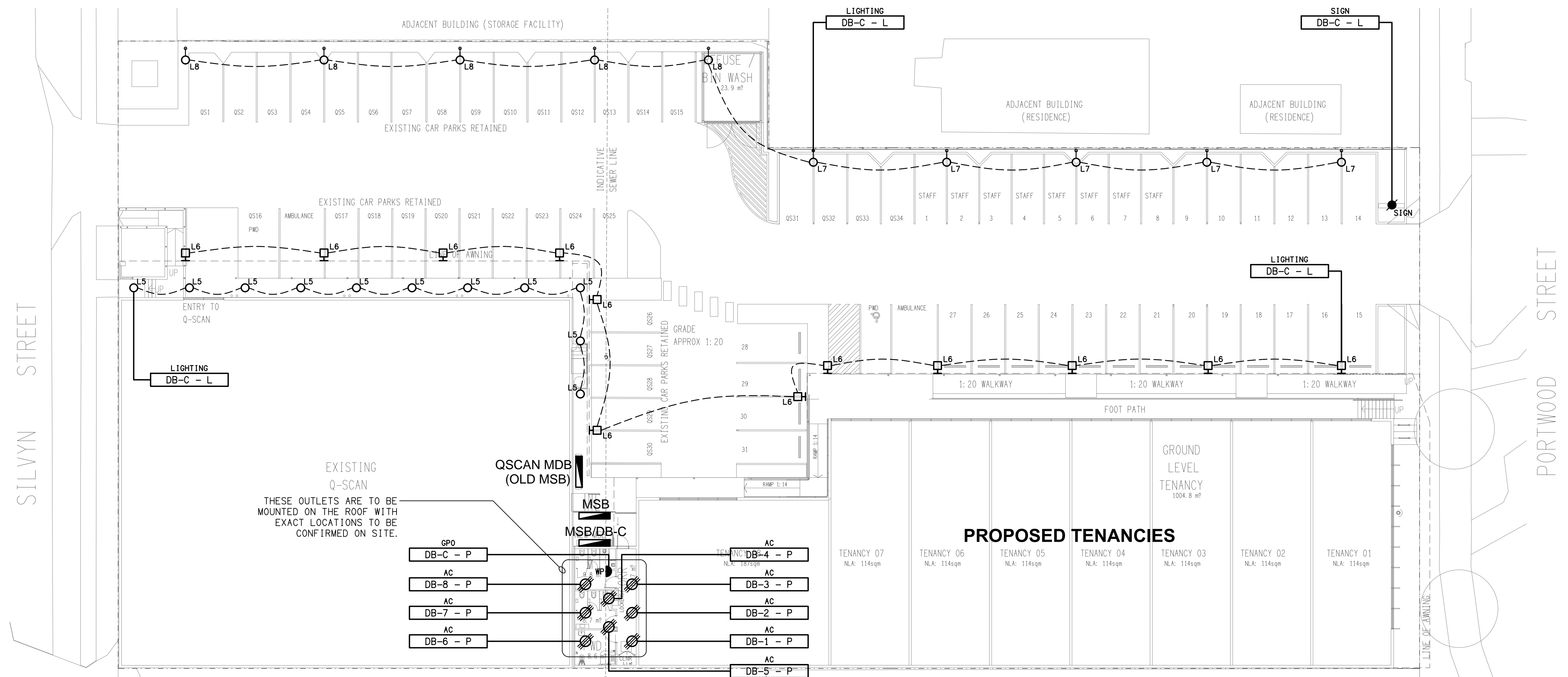
- TEST - TEST PUSH BUTTON MOUNTED ON THE DISTRIBUTION BOARD ESCUTCHEON.
- RESET - RESET PUSH BUTTON MOUNTED ON THE DISTRIBUTION BOARD ESCUTCHEON.
- LAMP - AMBER TEST INDICATING LAMP MOUNTED ON THE DISTRIBUTION BOARD ESCUTCHEON.
- Ta - ADJUSTABLE 0-3 HOUR TIMED RELAY.
- Tb - 15 MINUTE RUN-ON TIMER TO OPERATE UPON THE RETURN OF MAINS POWER.
- Cx - CONTACTOR x.
- CRx - CONTROL RELAY x.
- Rx - RELAY x.



**NOTES**

- THE EMERGENCY LIGHT UNSWITCHED ACTIVE / GENERAL LIGHTING SWITCHED ACTIVE CIRCUIT ARRANGEMENT AND CONTROL IS TYPICAL FOR ALL CIRCUITS SUPPLYING EMERGENCY LIGHTS.
- PROVIDE ADDITIONAL CONTROL RELAYS (CRx) CONFIGURED AS PER CRa AND CRb FOR ALL ADDITIONAL LIGHTING CIRCUITS THAT SUPPLY LIGHTS IN THE VICINITY OF THE EMERGENCY LIGHTS.

**SCHEMATIC**  
EMERGENCY LIGHTING  
NOT TO SCALE



**SITE PLAN**  
PROPOSED DEVELOPMENT  
SCALE 1:200

B	TENDER	24/06/2024
REV:	DESCRIPTION:	DATE:

DRAWING: **ELECTRICAL SERVICES LEGEND & SITE PLAN**

SCALE: 1:200 UNO AT A1	PROJECT NO: <b>C3242a</b>	DRAWING NO: <b>E01</b>	REVISION: <b>B</b>
------------------------	---------------------------	------------------------	--------------------

ELECTRICAL DESIGN GROUP BRISBANE PTY LTD  
ACN 092 710 793  
TRADING AS: ELECTRICAL DESIGN GROUP

THE COPYRIGHT OF THIS DRAWING REMAINS THE PROPERTY OF THE ELECTRICAL DESIGN GROUP.  
USE FIGURED DIMENSIONS IN PREFERENCE TO SCALE.  
ALL DIMENSIONS TO BE VERIFIED ONSITE.

**ELECTRICAL DESIGN GROUP**  
ELECTRICAL BUILDING SERVICES CONSULTANTS  
BRISBANE GOLD COAST  
P.O. Box 15, Sherwood Q. 4075  
Phone: (07) 3278 4375  
Email: brisbane@edg.net.au  
Web: www.edg.net.au

PROJECT: **6 SILVYN STREET, REDCLIFFE**